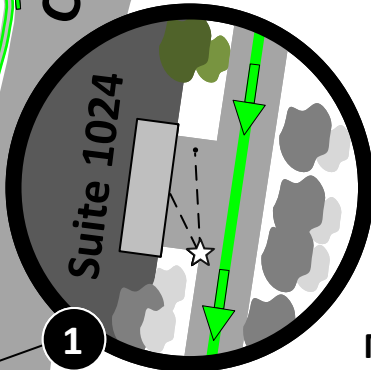
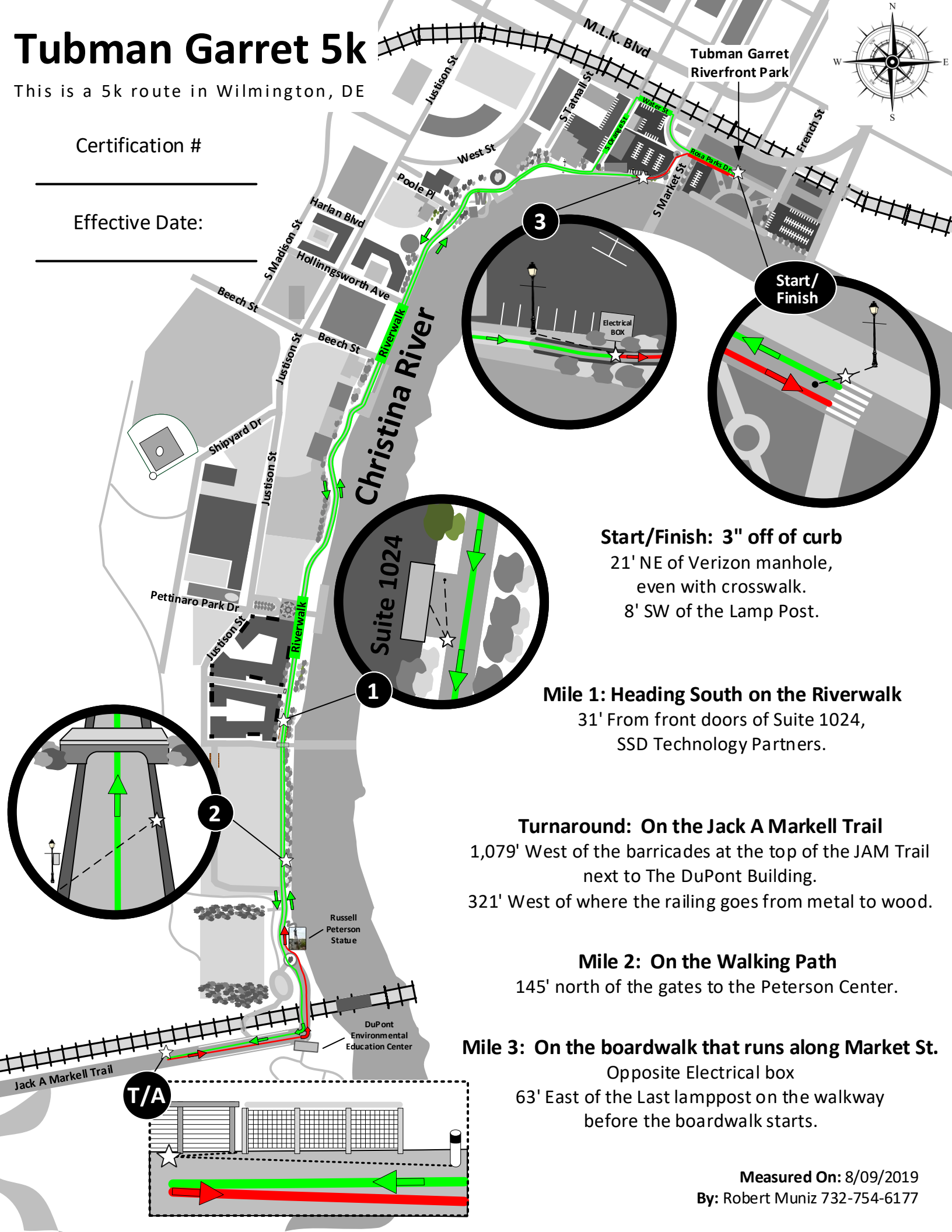
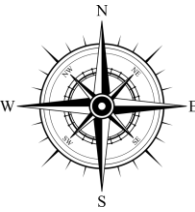


# Tubman Garret 5k

This is a 5k route in Wilmington, DE

Certification # \_\_\_\_\_

Effective Date: \_\_\_\_\_

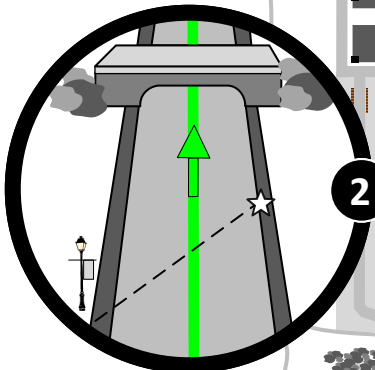


1

Suite 1024

**Start/Finish: 3" off of curb**  
21' NE of Verizon manhole,  
even with crosswalk.  
8' SW of the Lamp Post.

**Mile 1: Heading South on the Riverwalk**  
31' From front doors of Suite 1024,  
SSD Technology Partners.

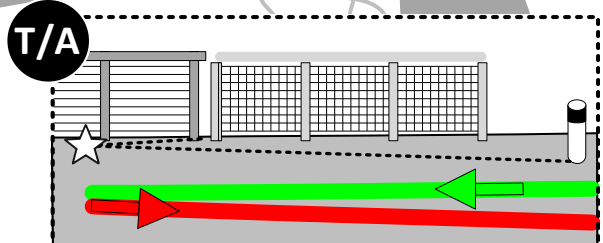


2

**Turnaround: On the Jack A Markell Trail**  
1,079' West of the barricades at the top of the JAM Trail  
next to The DuPont Building.  
321' West of where the railing goes from metal to wood.

**Mile 2: On the Walking Path**  
145' north of the gates to the Peterson Center.

**Mile 3: On the boardwalk that runs along Market St.**  
Opposite Electrical box  
63' East of the Last lamppost on the walkway  
before the boardwalk starts.



T/A

Measured On: 8/09/2019  
By: Robert Muniz 732-754-6177